



**Tea-for-Two®**  
60" x 32" drop-in bath  
**K-850**

**Features**

- 60"L x 32"W x 18-1/4"H.
- The only two-person bath that fits into a standard 5' alcove.
- Constructed of KOHLER® Cast Iron.
- Spacious design accommodates up to two bathers.

**Installation**

- Drop-in, undermount, or alcove.
- Requires K-23856 cable pop-up bath drain and K-23857 bath drain trim (sold separately).

**Required Products/Accessories**

K-23856 1-1/2" cable pop-up bath drain

or

K-23857 Bath drain trim

**Recommended Products/Accessories**

- K-586 Under-Mount Installation Kit
- K-1172 Adjustable feet
- K-1179 Vinyl Tiling-in Bead
- K-1491 Bath/Whirlpool Pillow
- K-1601 Bath/whirlpool footstop, removable
- K-702200-G73 Frameless Sliding Bath Door
- K-702200-L Frameless Sliding Bath Door
- K-706000-D3 Frameless Sliding Bath Door
- K-706000-L Frameless Sliding Bath Door
- K-706003-L Frameless Sliding Bath Door
- K-706004-D3 Frameless Sliding Bath Door
- K-706004-L Frameless Sliding Bath Door
- K-706007-L Frameless Sliding Bath Door
- K-23726 Drain treatment
- K-23725 Cast iron cleaner



**Codes/Standards**

- ASME A112.19.1/CSA B45.2
- ASTM F462
- ADA
- ICC/ANSI A117.1

**KOHLER® Enameled Cast Iron Bath and Shower Base Lifetime Limited Warranty**

See website for detailed warranty information.

**Available Colors/Finishes**

*Color tiles intended for reference only.*

Color	Code	Description
	0	White
	96	Biscuit
	NY	Dune
	95	Ice™ Grey
	G9	Sandbar
	33	Mexican Sand™
	K4	Cashmere
	58	Thunder™ Grey
	7	Black Black™
	GRL	Grey Lavender
	DGB	Indigo Blue
	PLM	Black Plum

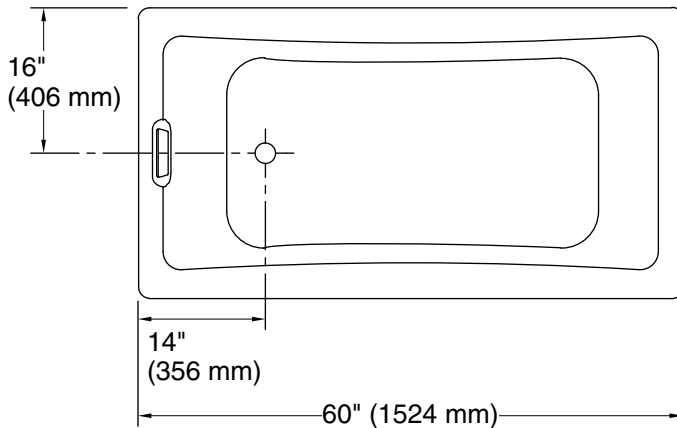
1-800-4KOHLER (1-800-456-4537)

Kohler Co. reserves the right to make revisions without notice to product specifications.

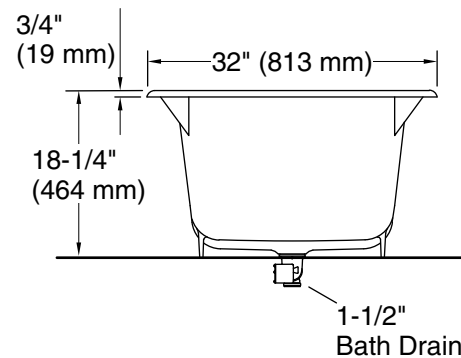
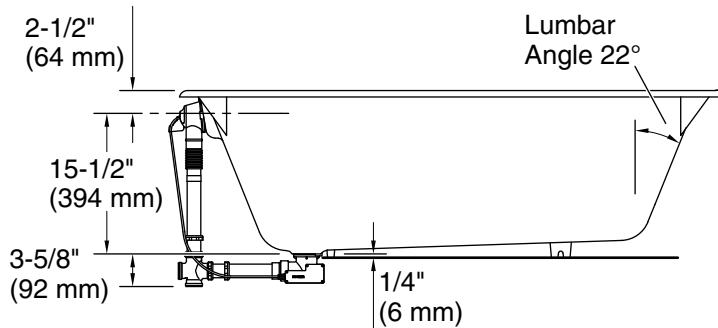
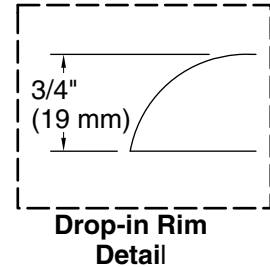
For the most current Specification Sheet, go to [www.kohler.com](http://www.kohler.com).

5-29-2021 22:46 - US/CA





No change in measurements if connected with drain illustrated. (K-23856-NA)



### Technical Information

All product dimensions are nominal.

Installation:	Drop-in, Under-mount, Three-wall alcove
Drain location:	End
Basin area, bottom:	40-1/2" x 20" (1029 mm x 508 mm)
Basin area, top:	52-3/4" x 24" (1340 mm x 610 mm)
Weight:	250 lbs (113.4 kg)
Minimum floor load:	58 lbs/ft <sup>2</sup> (283.2 kg/m <sup>2</sup> )
Water depth:	13-5/8" (346 mm)
Water capacity:	60 gal (227.1 L)
Cutout:	Drop-in, 58-1/2" x 30-1/2" (1486 mm x 775 mm)
Template:	Under-mount, K-586, required, not included
Minimum flat for door:	2-1/4" (57 mm)

### Notes

Measure your actual product for rough-in details.

Install this product according to the installation instructions.

The hot water supply should be 70% of the capacity of the bath or greater. Installations will vary.

Kit is required for under-mount installations (sold separately).

ADA compliant when installed to the specific requirements of these regulations.